



Custom Plastic Fabrication & Distribution

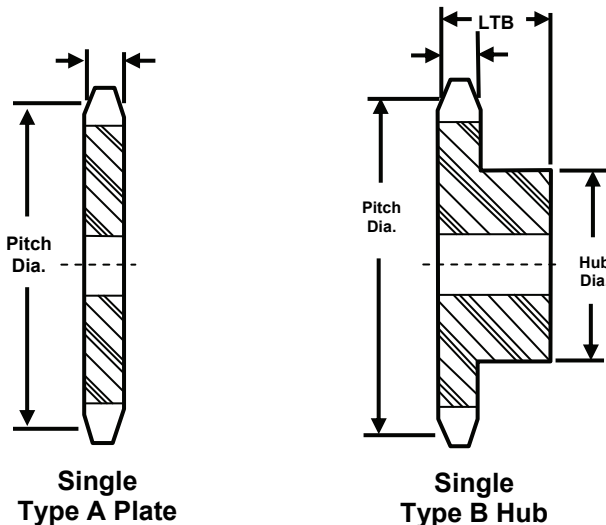
ROLLER CHAIN SPROCKETS

100 Pitch (1 1/4")

Plastic Roller Chain Sprockets are chemical resistant, do not require lubrication, and reduce shock to provide smoother quieter operation. FDA/USDA materials include:

Natural UHMW PE, Natural Nylon, and Oil filled Nylon.

Each material offers it's own unique characteristics including: temperature, load speed, and coefficient of friction.



No. Teeth	Pitch Dia.	Bore (in.) Stock	LTB
8	3.266	3/4	1 3/4
9	3.655	3/4	1 3/4
10	4.045	1	1 3/4
11	4.437	1	1 3/4
12	4.83	1	1 3/4
13	5.223	1	1 3/4
14	5.617	1	1 3/4
15	6.012	1	1 3/4
16	6.407	1	1 3/4
17	6.803	1	1 3/4
18	7.198	1	1 3/4
19	7.594	1	2
20	7.991	1	2
21	8.387	1	2
22	8.783	1/2	2
23	9.18	1/2	2
24	9.577	1/2	2
25	9.973	1/2	2
26	10.37	1/2	2
27	10.767	1/2	2
28	11.164	1/2	2
29	11.561	1/2	2
30	11.958	1/2	2
31	12.356	1/2	2
32	12.753	1/2	2
33	13.15	1/2	2
34	13.547	1/2	2
35	13.945	1/2	2 1/2
36	14.342	1	2 1/2
37	14.74	1	2 1/2
38	15.137	1	2 1/2
39	15.534	1	2 1/2
40	15.932	1	2 1/2
41	16.329	1	2 1/2
42	16.727	1	2 1/2
43	17.124	1	2 1/2
44	17.522	1	2 1/2
45	17.919	1	2 1/2
46	18.317	1	2 1/2
47	18.715	1	2 1/2
48	19.112	1	2 1/2
49	19.51	1	2 1/2
50	19.907	1	2 1/2

800-295-7660