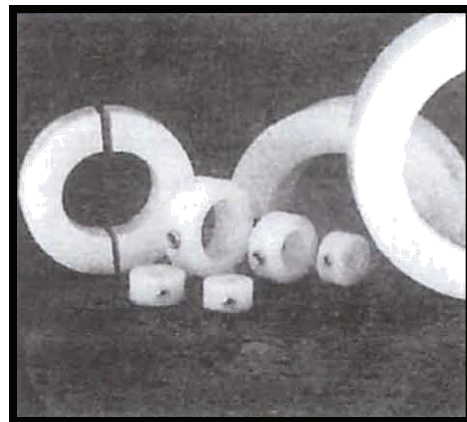
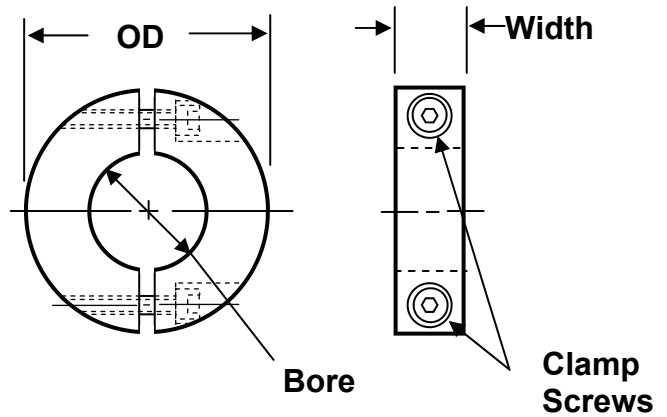


# SPLIT CLAMPING COLLAR

Bore Size (in.)	O.D. (in.)	Width (in.)	Clamp Screw Size
1/4	1	3/8	6-32
5/16	1	3/8	6-32
3/8	1 1/4	1/2	6-32
7/16	1 1/4	1/2	6-32
1/2	1 3/8	9/16	8-32
9/16	1 3/8	9/16	8-32
5/8	1 5/8	5/8	10-32
3/4	1 3/4	5/8	10-32
7/8	2	3/4	10-32
1	2 1/8	3/4	1/4-20
1 3/16	2 5/16	3/4	1/4-20
1 1/4	2 3/8	3/4	1/4-20
1 3/8	2 1/2	3/4	1/4-20
1 7/16	2 5/8	3/4	1/4-20
1 1/2	2 5/8	3/4	1/4-20
1 5/8	3	15/16	5/16-18
1 3/4	3 1/8	15/16	5/16-18
1 7/8	3 1/4	15/16	5/16-18
1 15/16	3 1/4	15/16	5/16-18
2	3 3/8	15/16	5/16-18
2 3/16	3 5/8	15/16	5/16-18
2 1/4	3 5/8	15/16	5/16-18
2 7/16	4 1/8	1 1/8	3/8-16
2 1/2	4 1/8	1 1/8	3/8-16
2 3/4	4 3/8	1 1/8	3/8-16
3	4 1/2	1 1/8	3/8-16
3 1/4	4 3/4	1 1/8	3/8-16
3 1/2	5	1 1/8	3/8-16
3 3/4	5 1/4	1 1/8	3/8-16
4	5 1/2	1 1/8	3/8-16



Shaft & Split Clamping Collars

**800-295-7660**